

**PNEUMATIC ACTUATORS**

***PR Series***

Issued: 09/2021

## Description

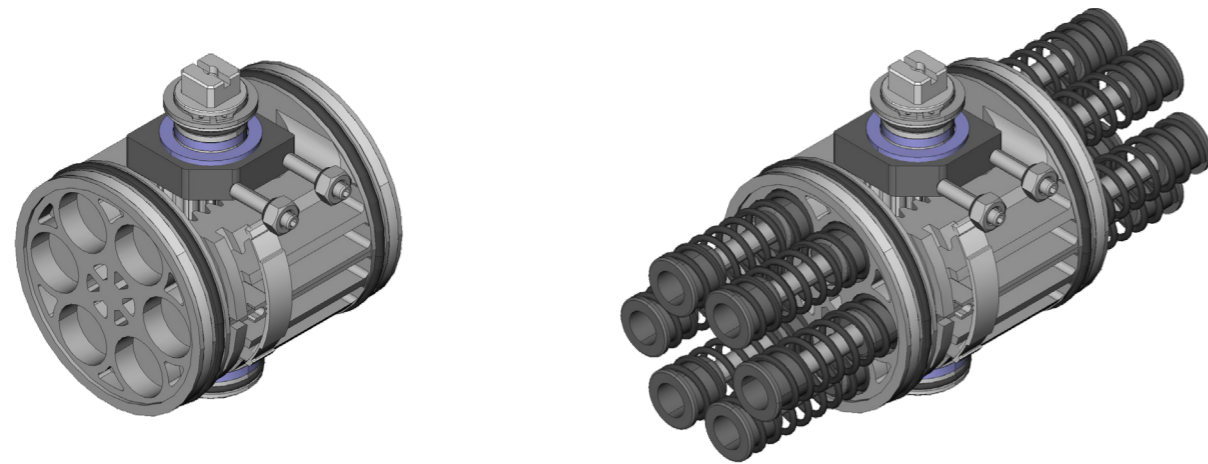
Our Pneumatic Actuator Series PR combines a number of custom-required features and based on its large and finely subdivided torque bandwidth it is the perfect solution for nearly all requirements in the field of valve automation.

The well proven rack&pinion construction ensures a durable and reliable usage in continuous operation even in harshest conditions and is the key to process reliability for decades. It provides maximum torque output in combination with compact and weight-saving design.

Through the structural design with internal slide-bearings, actuators of the PR series are completely maintenance free. All requirements of a simple service are achieved by the working principle and pre-loaded safety springs.

Thanks to the consideration of all common standards in respect of connection interfaces, PR-actuators provide maximum modularity in terms of combination with valves and accessories such as solenoid valves, position feedback systems or positioners.

Based on the usage of high quality aluminum alloys and an additional powder coating, the actuators provide the highest level of corrosion-resistance and can be easily used in demanding environments.



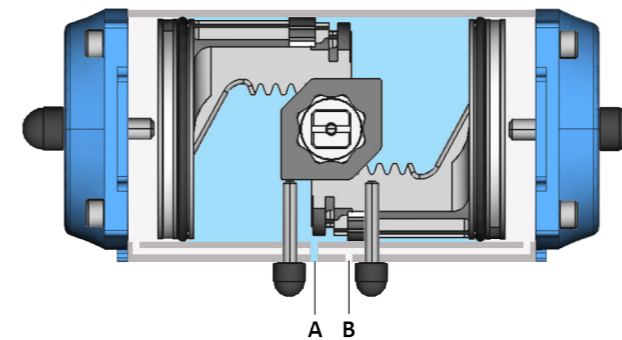
## Function

Actuators of the PR series are pneumatic double-piston rotary actuators, which are primarily used for the automation of quarter-turn valves such as ball valves, butterfly valves or plug valves. They are generally provided in two different functions: single acting and double-acting.

### Double-acting function

In the double-acting actuator version, the movement in both directions gets generated by the control pressure.

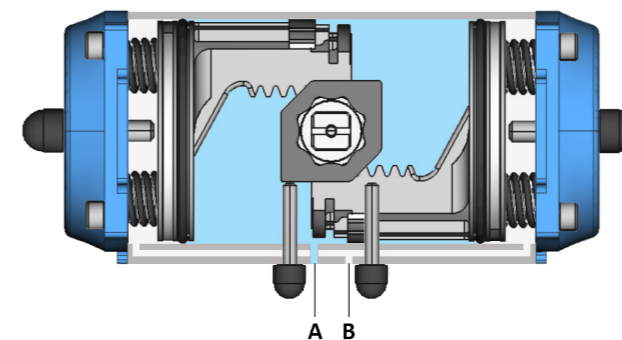
Via connection port „A“ the pressure chamber between the two pistons gets pressurized and the pistons move out. The resulting force is transmitted to the pinion and effects a rotational movement.



### Single-acting function

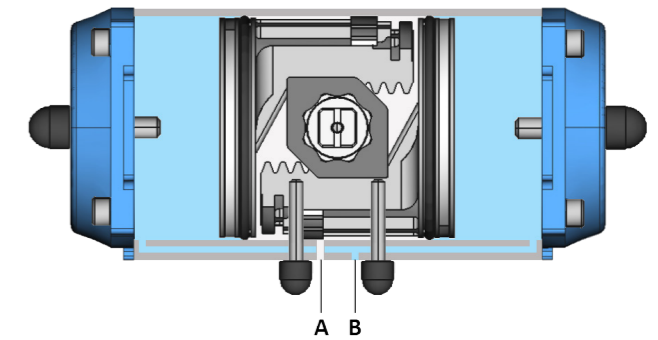
In the single-acting actuator version, the movement into one rotation direction gets generated by the control pressure and the movement of the reverse rotation by integrated safety springs.

Via connection port „A“ the pressure chamber between the two pistons gets pressurized, the pistons move out and compress the integrated spring cartridges. At the same time the force resulting at the pistons is transmitted to the pinion and effects a



Double piston principle means that two pistons create two pressure chambers. By inflating one of these chambers the pistons are moved into opposite directions either towards or away from each other. The resulting force is provided to the central actuator pinion via toothed racks which are connected with the pistons and so creates a constant torque over the entire pivoting angle.

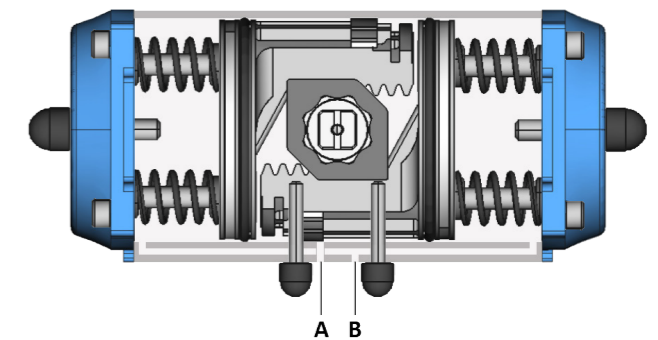
Once the outer pressure chamber is pressurized via connection port „B“, the pistons move towards each other again and the rotation process is reversed.



rotational movement.

Once the pressure chamber is vented via port „A“, the springs push the pistons towards each other and the rotation process is reversed.

The single acting actuator version thereby provides a safety function for the case of pressure loss.

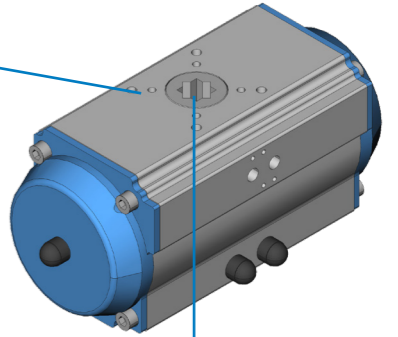


# Features

**+ 90°, 120°, 135°, 180° and 3-position actuator versions available**  
Full scope of rotation angles available

**+ Wide torque range up to 13000Nm double acting and 4200Nm single acting**  
One actuator series for all your valve series.

**+ Multiple ISO-connection interfaces per actuator size**  
Maximized possibility to mount the valve directly to the actuator without any need of adapters and mounting kits.



**+ Double-square stem connection (Double-D- or Key-connection optional)**  
Allows the adaptation of valves according to ISO 5211 and DIN 3337 with parallel or diagonal square head

**+ Double end stop adjustment +/- 5°**  
Provides the possibility to exactly adjust open and closed valve-position. This prevents flow losses and increased wear of the valve and simultaneously reduces the quantity of actuator variants.

**+ Precision milled gear teeth**  
The machine tooth flanks minimize wear and ensure optimum function even for demanding control operation.

**+ 18 actuator sizes with customizable spring packages**  
An accurate actuator-adaptation in respect of valve torque and control pressure provides optimized cost-benefit ratio.

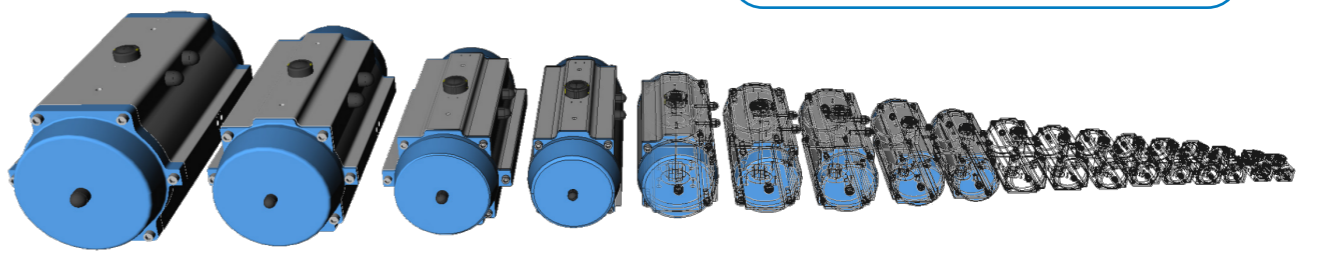
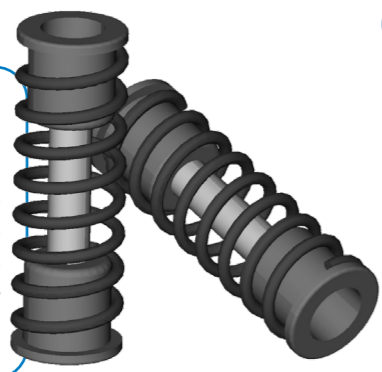
**+ Full powder-coating**  
Besides the usage of high grade aluminium alloy the full coating provides an additional increase of the actuator's corrosion resistance.

**+ Identical actuator caps for double- and single-acting actuators for all sizes**  
Reduced stock-holding, simple conversion between double- and single-action.

**+ Stroke adjustment +5° to -20° Optional: 100%-stroke-adjustment**  
Enables an easy adjustment of pivoting angles for special valves as distributor valves, 3-way valves and other special applications.

**+ Hard-coated pistons**  
The surface treatment of the actuator pistons protects against influences due to aggressive components in the control air or instreaming ambient air. This significantly increases the service life

**+ Pre-loaded safety springs**  
Vereinfachen die Adaption an die Simplifies the configuration according to the operation parameters as well as the maintenance and avoids the risk of injury while dismantling the actuator caps.



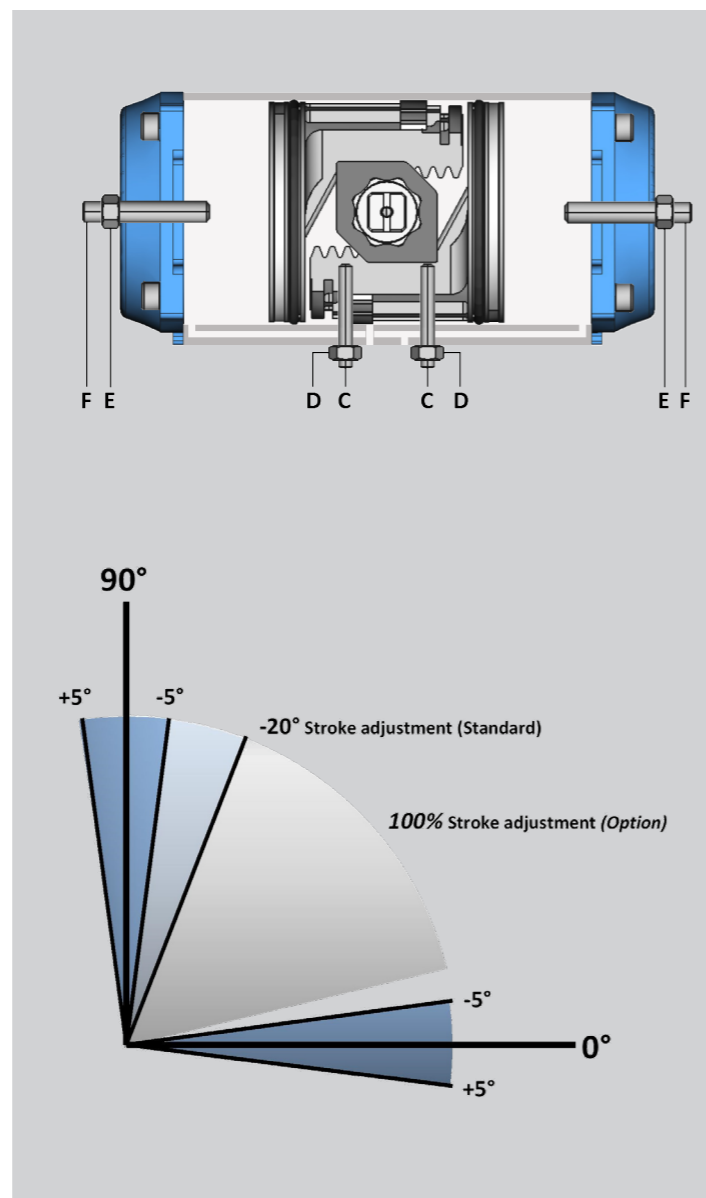
## Pivoting angle adjustment

All actuator sizes (exception: PR002) are serially equipped with a double end-stop adjustment and an additional stroke adjustment. Through this, the actuators of the PR series can be adapted to almost any pivoting angle requirement without extensive modifications.

By turning the end-stop adjustment screws „C“, both end positions can be adjusted by +/-5° for a precise setting of the final valve position. The according settings are secured by tightening the lock nuts „D“.

Thanks to the serially integrated stroke adjustment, the limit of the switched position can additionally be adjusted up to -20° by turning the stroke adjustment screws „F“. The according settings are secured by tightening the lock nuts „E“.

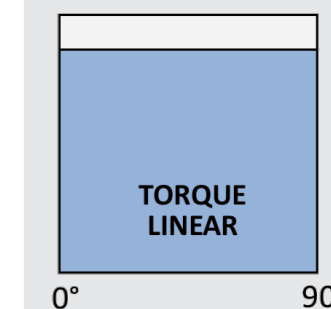
By a simple modification it is even possible to provide a stroke adjustment for the entire pivoting angle. Thus, also exceptional pivoting angle requirements can easily be met.



## Torque

### Torque diagram double acting

The double-acting actuator version provides a linear and constant torque over the complete pivoting angle in both pivoting directions.



### Drehmomente double-acting

Size	Torque in Nm at control pressure in bar (g)										
	2	2,5	3	3,5	4	4,5	5	5,5	6	7	8
002	3	4	5	5	6	7	8	8	9	11	12
003	5	6	7	8	10	11	12	13	14	17	19
004	8	10	12	14	16	18	20	22	24	28	32
007	14	18	21	25	28	32	35	39	42	49	56
010	20	25	30	35	40	45	50	55	60	70	79
015	31	38	46	53	61	69	76	84	92	107	122
023	45	56	67	79	90	101	112	124	135	157	180
033	65	81	98	114	130	146	163	179	195	228	260
052	101	127	152	178	203	228	254	279	304	355	406
088	174	217	260	304	347	390	434	477	521	607	694
134	264	331	397	463	529	595	661	727	793	925	1058
216	426	533	639	746	852	959	1066	1172	1279	1492	1705
263	521	651	781	911	1041	1171	1302	1432	1562	1822	2082
387	765	956	1148	1339	1530	1721	1913	2104	2295	2678	3060
587	1162	1453	1743	2034	2324	2615	2905	3196	3486	4067	4648
763	1594	1993	2391	2790	3188	3587	3985	4384	4782	5579	6376
1143	2387	2983	3580	4177	4773	5370	5967	6563	7160	8353	9546
1628	3256	4070	4884	5698	6512	7326	8140	8954	9768	11396	13024

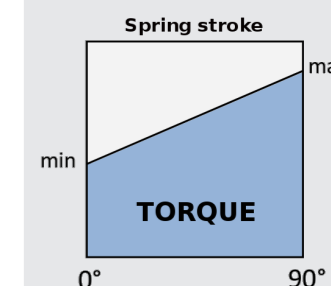
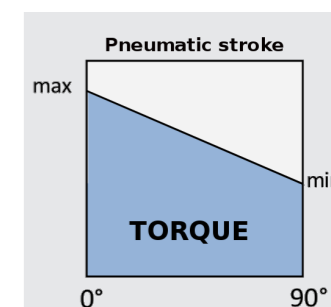
### Torque diagram single-acting

Single-acting actuators don't provide a consistent torque throughout the entire pivoting angle due to the integrated spring cartridges. We differentiate between the torque diagrams of the pneumatic stroke and the spring stroke.

At the beginning of the pneumatic stroke the springs are mostly relaxed and the maximum pneumatic torque is available for the valve-operation. In the course of the air stroke the springs get compressed and the rising spring force linearly reduces the available pneumatic torque to operate the valve. In the end position the torque of the air stroke reaches its minimum value, the so-called minimum pneumatic torque.

The spring stroke starts with maximum tensioned springs and accordingly offers the maximum spring torque at the beginning of the reverse movement. In the course of the spring stroke the springs progressively relax so that the actuator torque linearly reduces until it reaches the minimum spring torque in the end position.

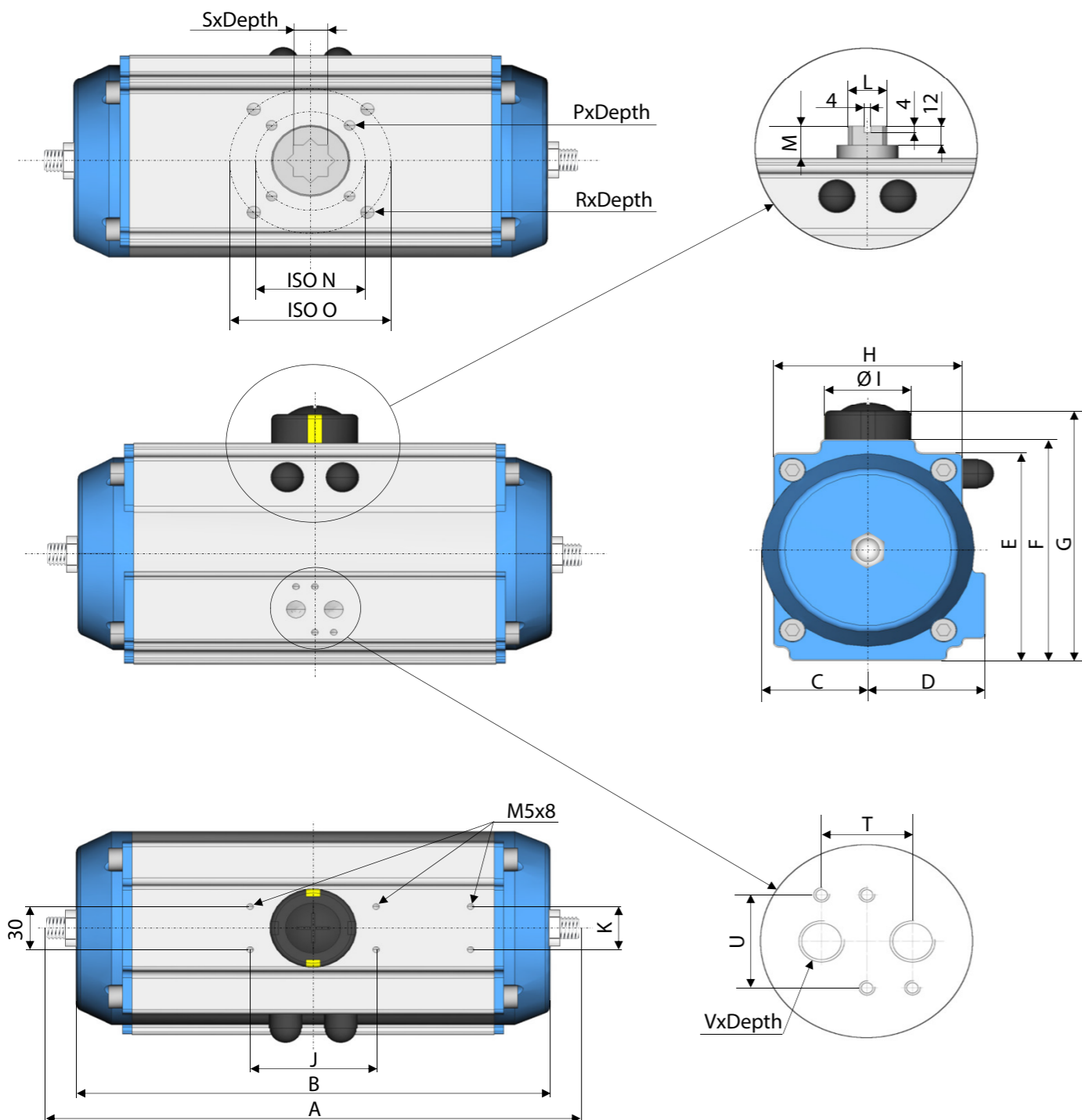
Thus, at the starting point of each movement the maximum torque is available to overcome the breakaway torque.



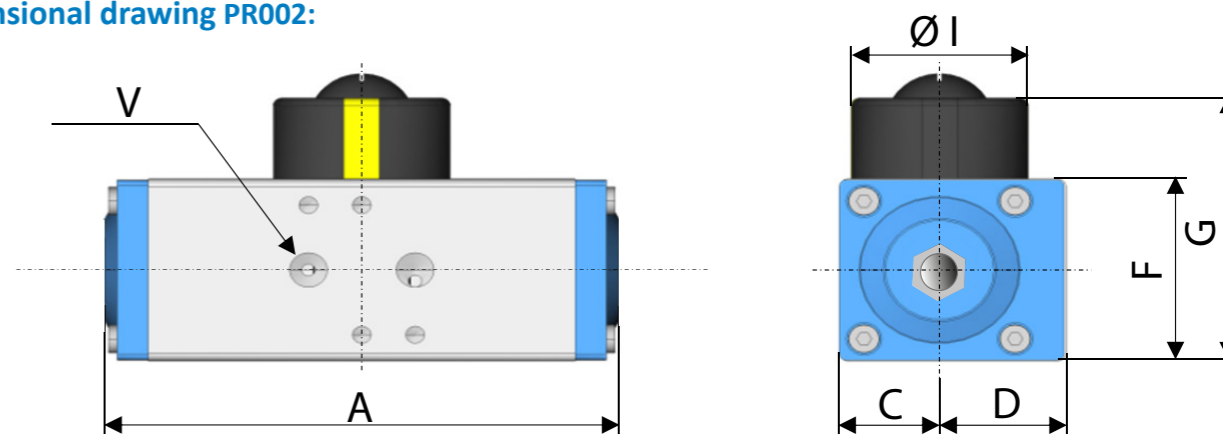


# Dimensions

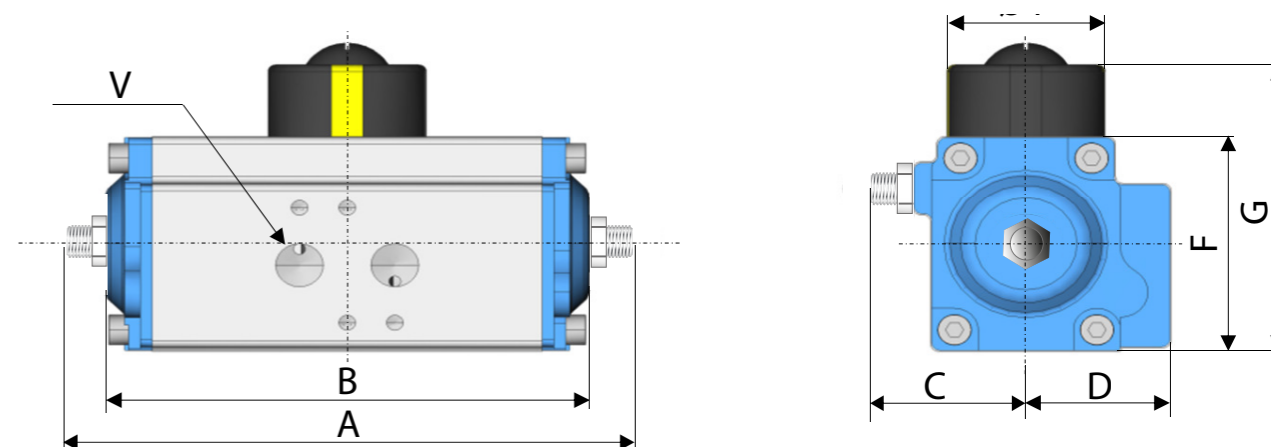
Dimensional drawing PR004 - PR1628:



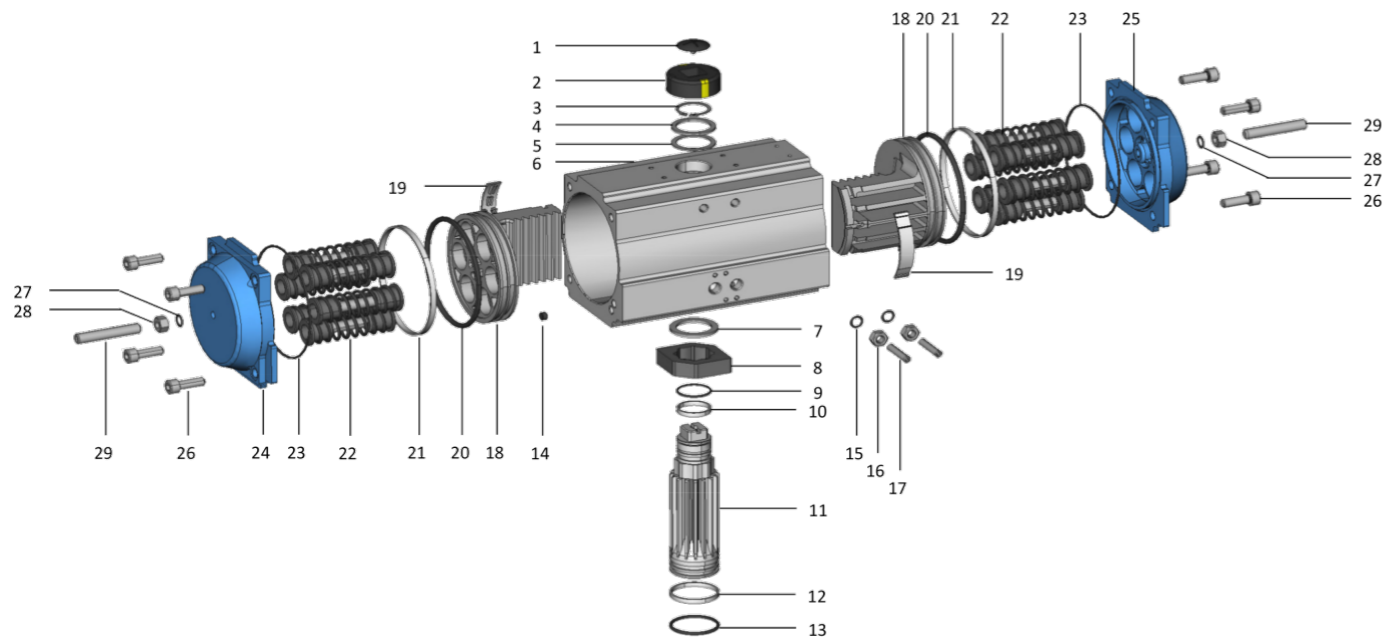
Dimensional drawing PR002:



Dimensional drawing PR003:



Size	Standard															Optional						
	A	B	C	D	E	F	G	H	I	J	K	L	M	N	O	ISO	P	R	S	T	U	V
002	116	-	22,5	28,5	-	45,0	65,0	-	40	80	-	10	20	F03	-	-	M5x8	-	9x11	24	32	G1/8"
003	148	122	41,0	36,5	-	60,0	80,0	-	40	80	-	10	20	F03	F05	F04	M5x8	M6x10	11x14	24	32	G1/4"
004	175	149	30,0	41,5	65,5	72,0	92,0	65,0	40	80	30	10	20	F03	F05	F04	M5x8	M6x10	11x14	24	32	G1/4"
007	194	168	36,0	47,0	81,0	88,0	108,0	72,0	40	80	30	10	20	F05	F07	F04	M6x10	M8x13	14x18	24	32	G1/4"
010	210	184	42,0	53,0	94,0	99,5	119,5	81,0	40	80	30	10	20	F05	F07	-	M6x10	M8x13	14x18	24	32	G1/4"
015	237	204	46,0	57,0	98,5	108,7	128,7	92,0	40	80	30	10	20	F05	F07	-	M6x10	M8x13	17x21	24	32	G1/4"
023	295	262	50,0	58,5	111,0	116,5	136,5	98,0	40	80	30	14	20	F05	F07	-	M6x10	M8x13	17x21	24	32	G1/4"
033	301	268	57,5	64,0	122,5	133,0	153,0	109,5	40	80	30	14	20	F07	F10	-	M8x13	M10x16	22x26	24	32	G1/4"
052	340	301	67,5	74,5	145,5	155,0	175,0	127,5	55	80	30	22	20	F07	F10	-	M8x13	M10x16	22x26	24	32	G1/4"
088	433	394	75,0	77,0	161,0	172,0	192,0	137,5	55	80	30	22	20	F10	F12	-	M10x16	M12x20	27x31	24	32	G1/4"
134	497	458	87,0	87,0	184,0	197,0	217,0	158,0	55	80	30	22	20	F10	F12	-	M10x16	M12x20	27x31	24	32	G1/4"
216	582	528	103,0	103,0	246,0	230,0	260,0	189,0	80	130	30	32	30	F14	-	-	M16x25	-	36x40	24	32	G1/4"
263	586	532	113,0	113,0	235,5	255,0	285,0	210,0	80	130	30	32	30	F14	-	-	M16x25	-	36x40	24	32	G1/4"
387	656	602	130,0	130,0	264,5	289,0	319,0	245,0	80	130	30	32	30	F16	-	-	M20x25	-	46x50	24	32	G1/4"
587	776	722	147,0	147,0	300,0	328,0	358,0	273,0	80	130	30	32	30	F16	-	-	M20x25	-	46x50	40	45	G1/2"
763	830	758	203,0	203,0	324,0	348,0	378,0	290,0	80	130	30	32	30	F16	-	F25	M20x25	-	46x60	40	45	G1/2"
1143	960	888	230,0	230,0	379,0	408,0	438,0	336,0	80	130	30	32	30	F16	F25	-	M20x25	M16x25	55x60	40	45	G1/2"
1628	1023	930	258,0	258,0	450,0	480,0	510,0	336,0	80	130	30	32	30	F16	F25	-	M20x25	M16x25	55x60	40	45	G1/2"



No.	Designation	Qty	Material standard	Protection	Option material
1	Screw visual indicator	1	ABS		
2	Visual indicator	1	ABS		
3	Circlip	1	Stainless steel		
4	Thrust washer	1	Stainless steel		
5	Outside washer	1	POM		
6	Body	1	Aluminium	Powder coated	
7	Inside washer	1	POM		
8	Stop cam	1	Carbon steel		
9	O-ring (pinion top)	1	NBR		FKM/HNBR
10	Bearing (pinion top)	1	POM		
11	Pinion	1	Carbon steel	Nickel plated	Stainless steel
12	Bearing (pinion bottom)	1	POM		
13	O-ring (pinion bottom)	1	NBR		FKM/HNBR
14	Plug	2	NBR		FKM/HNBR
15	O-ring (end adjustment screw)	2	NBR		FKM/HNBR
16	Nut (end adjustment screw)		Stainless steel		
17	End adjustment screw	2	Stainless steel		
18	Piston	2	Aluminium	Anodized	Stainless steel
19	Guidance segment	2	POM		
20	O-ring (piston)	2	NBR		FKM/HNBR
21	Guidance ring (piston)	2	POM		
22	Safety spring	0-12	Spring steel	Dip coating	
23	O-ring (end cap)	2	NBR		FKM/HNBR
24	End cap left	1	Aluminium	Powder coated	
25	End cap right	1	Aluminium	Powder coated	
26	Cap screw	8	Stainless steel		
27	O-ring (stroke adjustment screw)	2	NBR		FKM/Silicone
28	Nut (stroke adjustment screw)	2	Stainless steel		
29	Stroke adjustment screw	2	Stainless steel		

## General Specification

<b>Construction principle</b>	Pneumatic double-piston rotary actuator in rack&pinion-design with self-centering pistons; double- and single-acting execution	
<b>Materials</b>	See chapter „Parts and materials“	
<b>Temperature range</b>	Standard	-20°C to +80°C
	Low temperature version	-40°C to +80°C
	High temperature version	-10°C to +150°C
<b>Control pressure</b>	2,5 to 8 bar	
<b>Pressure media</b>	dry, filtered air or inert gases in respect of remaining oil-, dust and water-content according to DIN ISO 8573-1 / class 4, maximum particle diameter 30µm, dew point minimum 10°C below ambient temperature	
<b>Nominal rotation angle</b>	90° resp. 180°	
	Adjustable in both end positions +/-5° Serial stroke adjustment for switched position up to -20° (optional 100% stroke adjustment)	
<b>Torque range</b>	double-acting: 3 ... 13000Nm	
	single-acting: 4 ... 4200Nm	
<b>Standards</b>	Interface actuator/feedback-unit or positioner	VDI/VDE 3845 resp. NAMUR
	Interface actuator/control media supply	VDI/VDE 3845 resp. NAMUR
	Interface actuator/valve:	ISO 5211 and DIN 3337

## Weights

		Actuator size								
		002	003	004	007	010	015	023	033	052
Weight (kg)	double-acting	0,7	1,0	1,4	2,0	2,7	3,1	4,6	6,8	8,9
	single-acting	-	-	1,5	2,1	2,9	3,6	5,2	6,9	10,1
		<b>088</b>	<b>134</b>	<b>216</b>	<b>263</b>	<b>387</b>	<b>587</b>	<b>763</b>	<b>1143</b>	<b>1628</b>
Weight (kg)	double-acting	13,0	20,0	31,0	47,0	67,0	97,0	110,0	186,0	289,0
	single-acting	15,0	24,0	35,0	55,0	80,0	118,0	130,0	234,0	360,0

## Volumes

		Actuator size								
		002	003	004	007	010	015	023	033	052
Volume (l)	double-acting	0,09	0,19	0,28	0,44	0,64	0,90	1,37	1,83	3,0
	single-acting	-	-	0,12	0,21	0,30	0,43	0,64	0,95	1,6
		<b>088</b>	<b>134</b>	<b>216</b>	<b>263</b>	<b>387</b>	<b>587</b>	<b>763</b>	<b>1143</b>	<b>1628</b>
Volume(l)	double-acting	4,7	6,9	11,3	15,0	20,0	31,0	53,5	81,4	108,6
	single-acting	2,5	3,7	5,9	7,5	11,0	17,0	23,8	35,1	52,6

# Consumption

Size	Function	Air consumption for pivoting angle 90° at control pressure in bar (g) in litres/cycle								
		3	3,5	4	4,5	5	5,5	6	7	8
002	double-acting	0,27	0,32	0,36	0,41	0,45	0,50	0,54	0,63	0,72
	single-acting	-	-	-	-	-	-	-	-	-
003	double-acting	0,57	0,67	0,76	0,86	0,95	1,05	1,14	1,33	1,52
	single-acting	-	-	-	-	-	-	-	-	-
004	double-acting	0,84	0,98	1,12	1,26	1,40	1,54	1,68	1,96	2,24
	single-acting	0,36	0,42	0,48	0,54	0,60	0,66	0,72	0,84	0,96
007	double-acting	1,32	1,54	1,76	1,98	2,20	2,42	2,64	3,08	3,52
	single-acting	0,63	0,74	0,84	0,95	1,05	1,16	1,26	1,47	1,68
010	double-acting	1,92	2,24	2,56	2,88	3,20	3,52	3,84	4,48	5,12
	single-acting	0,90	1,05	1,20	1,35	1,50	1,65	1,80	2,10	2,40
015	double-acting	2,70	3,15	3,60	4,05	4,50	4,95	5,40	6,30	7,20
	single-acting	1,29	1,51	1,72	1,94	2,15	2,37	2,58	3,01	3,44
023	double-acting	4,11	4,80	5,48	6,17	6,85	7,54	8,22	9,59	10,96
	single-acting	1,92	2,24	2,56	2,88	3,20	3,52	3,84	4,48	5,12
033	double-acting	5,49	6,41	7,32	8,24	9,15	10,07	10,98	12,81	14,64
	single-acting	2,85	3,33	3,80	4,28	4,75	5,23	5,70	6,65	7,60
052	double-acting	9,00	10,50	12,00	13,50	15,00	16,50	18,00	21,00	24,00
	single-acting	4,80	5,60	6,40	7,20	8,00	8,80	9,60	11,20	12,80
088	double-acting	14,10	16,45	18,80	21,15	23,50	25,85	28,20	32,90	37,60
	single-acting	7,50	8,75	10,00	11,25	12,50	13,75	15,00	17,50	20,00
134	double-acting	20,7	24,2	27,6	31,1	34,5	38,0	41,4	48,3	55,2
	single-acting	11,1	13,0	14,8	16,7	18,5	20,4	22,2	25,9	29,6
216	double-acting	33,9	39,6	45,2	50,9	56,5	62,2	67,8	79,1	90,4
	single-acting	17,7	20,7	23,6	26,6	29,5	32,5	35,4	41,3	47,2
263	double-acting	45,0	52,5	60,0	67,5	75,0	82,5	90,0	105,0	120,0
	single-acting	22,5	26,3	30,0	33,8	37,5	41,3	45,0	52,5	60,0
387	double-acting	60,0	70,0	80,0	90,0	100,0	110,0	120,0	140,0	160,0
	single-acting	33,0	38,5	44,0	49,5	55,0	60,5	66,0	77,0	88,0
587	double-acting	93,0	108,5	124,0	139,5	155,0	170,5	186,0	217,0	248,0
	single-acting	51,0	59,5	68,0	76,5	85,0	93,5	102,0	119,0	136,0
763	double-acting	160,5	187,3	214,0	240,8	267,5	294,3	321,0	374,5	428,0
	single-acting	71,4	83,3	95,2	107,1	119,0	130,9	142,8	166,6	190,4
1143	double-acting	244,2	284,9	325,6	366,3	407,0	447,7	488,4	569,8	651,2
	single-acting	105,3	122,9	140,4	158,0	175,5	193,1	210,6	245,7	280,8
1628	double-acting	325,8	380,1	434,4	488,7	543,0	597,3	651,6	760,2	868,8
	single-acting	157,8	184,1	210,4	236,7	263,0	289,3	315,6	368,2	420,8

## Operating time

The operating time of actuators depends on many influencing factors such as the control valve flow rate, the supplyline-diameter and -length, the control pressure, the load, etc. An exact indication of the operating time in general is not possible. The following table contains values in accordance with the mentioned conditions.

If your operating time requirements differ from the list, ask our advice.

Measurement conditions of the above values:

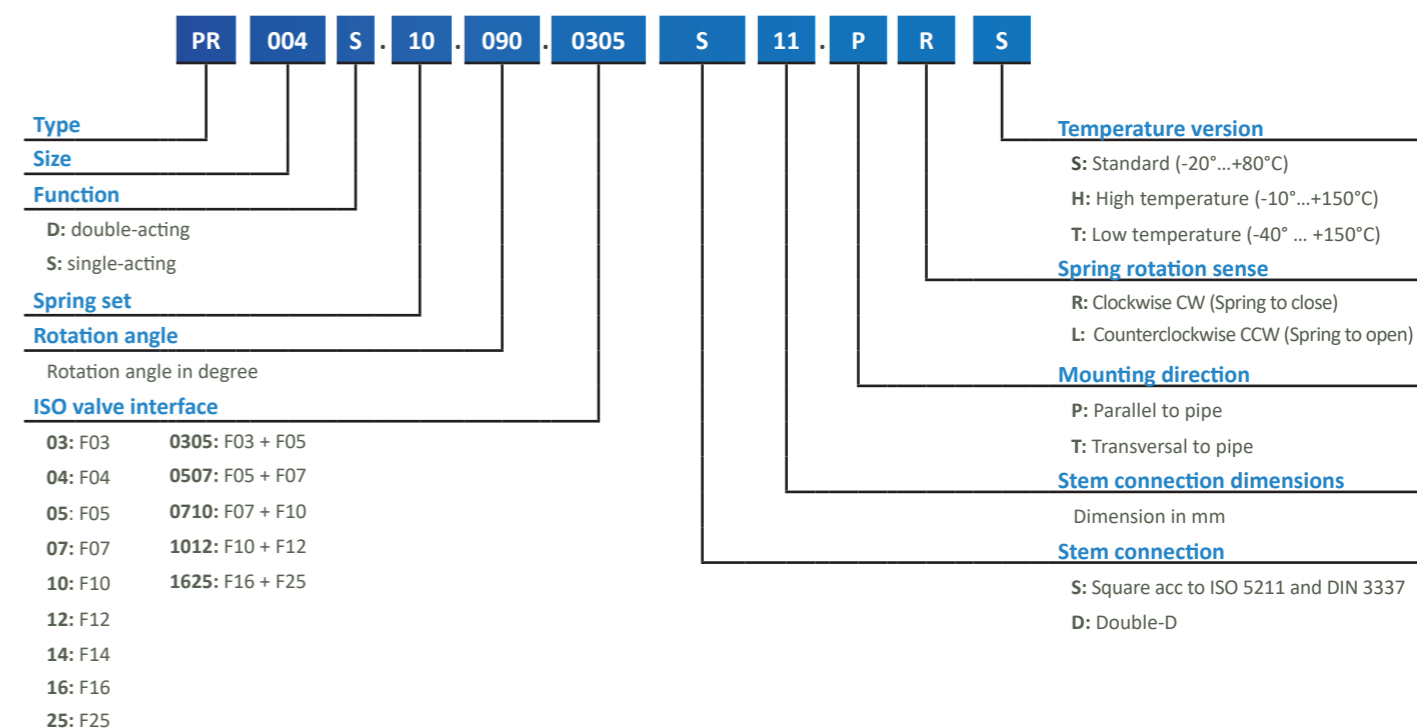
Operating time under load and with control valve

Control valve flow rate: 600 l/min  
 Supplyline diameter: 6mm  
 Supplyline length: 2m  
 Control pressure: 5bar  
 Load: medium load  
 Temperature: ambient temperature

# Operating time

Size	Operating time in seconds for rotation angle 90°				Minimum travel time
	double-acting		single-acting		
	Activation via port "A"	Activation via port "B"	Activation via port "A"	Spring return	
002	0,5	0,5	-	-	0,1
003	0,5	0,5	-	-	0,1
004	0,6	0,6	2	0,5	0,1
007	0,7	0,7	2	1	0,1
010	0,8	0,7	2	1	0,1
015	0,9	0,8	2,5	1	0,1
023	1	1	3	1	0,1
033	1,5	1,5	3	1	0,2
052	2	2	4	1	0,2
088	2,5	2,5	4	1	0,2
134	4	3	4	3	0,5
216	5	4	5	3	0,5
263	5	4	6	3	0,7
387	6	6	12	4	0,7
587	8	8	15	6	1
763	12	12	18	8	1
1143	14	14	20	10	2,5
1628	15	15	25	12	2,5

## Typecode





**ProtACT GmbH**  
Märkerstraße 18  
56307 Dernbach

Tel: +49 (0) 2605 96 25 19-0  
Fax: +49 (0) 2605 96 25 19-6  
Email: [protact@protact-gmbh.de](mailto:protact@protact-gmbh.de)

**Website: [www.protact-gmbh.de](http://www.protact-gmbh.de)**