



Description Pneumatic double-piston rotary actuator in rack & pinion design with self-centering pistons; double- and single-acting execution

Materials Stainless steel AISI 304 or AISI 316

ATEX marking II 2 G Ex h IIC T6...T3 Gb
II 2 D Ex h IIIC 170°C Db

Temperature range Standard: -20°C bis +80°C
Low temperature version: -40°C bis +80°C
High temperature version: -10°C bis +150°C

Control pressure 2 to 8 bar

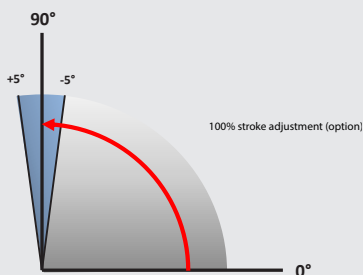
Pressure media dry, filtered air or inert gases in respect of remaining oil-, dust and water-content according to DIN ISO 8573-1 / class 4, maximum particle diameter 30µm, dew point minimum 10°C below ambient temperature

Standards Interface actuator/feedback-unit: VDI/VDE 3845 resp. NAMUR

Interface actuator/control media supply: VDI/VDE 3845 resp. NAMUR

Interface actuator/valve: ISO 5211 and DIN 3337

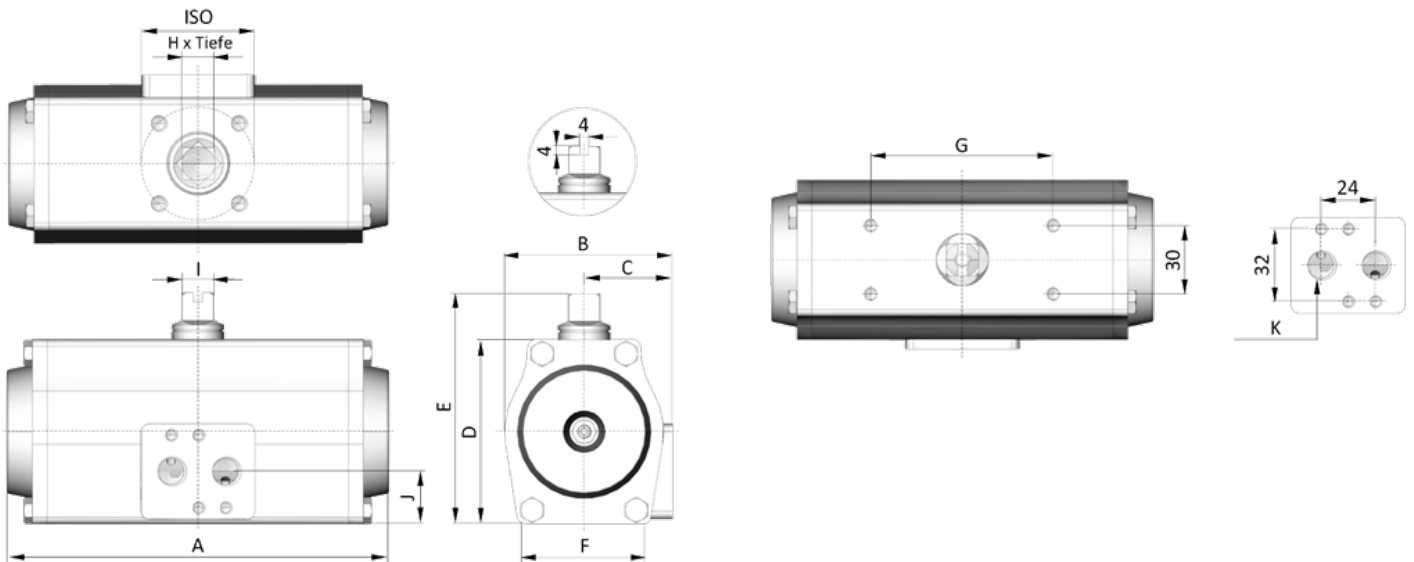
Nominal rotation angle 90°
Adjustable in switch position +/-5°, (optional 100% stroke adjustment)



Typecode

	PT	E	4A	085	/	090	12	F05/F07	V	17	F
Type											
Function	D: double-acting E: single-acting										
Stainless steel Type	2A: AISI 304 4A: AISI 316										
Size											
Rotation angle	Rotation angle in degree										
Spring set											
ISO valve interface											
Stem connection	V: Square acc. to ISO 5211 and DIN 3337										
Stem connection dimensions	Dimension in mm										
Mounting direction	E: transversal to pipe, rotation sense CW F: parallel to pipe, rotation sense CW G: transversal to pipe, rotation sense CCW H: parallel to pipe, rotation sense CCW										

Dimensions



A	B	C	D	E	F	G	ISO	H	I	J	K
197	102	54	108	138	75	80	F05 + F07	17x21	16	24	G1/4"

Weight, volume

Weight (kg)	double-acting	6,4
	single-acting	7

Volume (l)	double-acting	1
	single-acting	0,4

Torques double-acting

Torque in Nm at control pressure in bar (g)												
2	2,5	3	3,5	4	4,5	5	5,5	6	6,5	7	7,5	8
30,8	38,5	46,2	53,9	61,6	69,4	77,1	84,8	92,5	100,2	107,9	115,6	123,3

Torques single-acting

Spring set	Torque spring stroke in Nm		Torque in Nm at control pressure in bar (g)																		
			3		3,5		4		4,5		5		5,5		6		7		8		
	max	min	max	min	max	min	max	min	max	min	max	min	max	min	max	min	max	min	max	min	
5	23,0	15,8	29,5	21,9																	
6	27,6	19,0	26,2	17,1	33,9	24,9															
7	32,2	22,1	22,9	12,3	30,6	20,0	38,3	27,7													
8	36,8	25,3	19,6	7,4	27,3	15,1	35,0	22,8	42,8	30,6	50,5	38,3									
9	41,4	28,5			23,9	10,3	31,6	18,0	39,4	25,8	47,1	33,5	54,8	41,2	62,5	48,9					
10	46,0	31,6					28,3	13,2	36,1	21,0	43,8	28,7	51,5	36,4	59,2	44,1	74,6	59,5	90,0	74,9	
11	50,6	34,8							32,8	16,1	40,5	23,8	48,2	31,5	55,9	39,2	71,3	54,6	86,7	70,0	
12	55,2	38,0									37,1	19,0	44,8	26,7	52,5	34,4	67,9	49,8	83,3	65,2	