

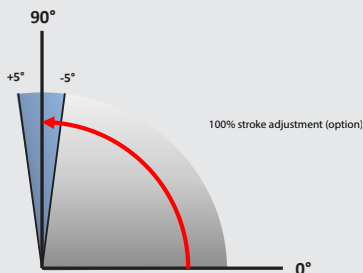




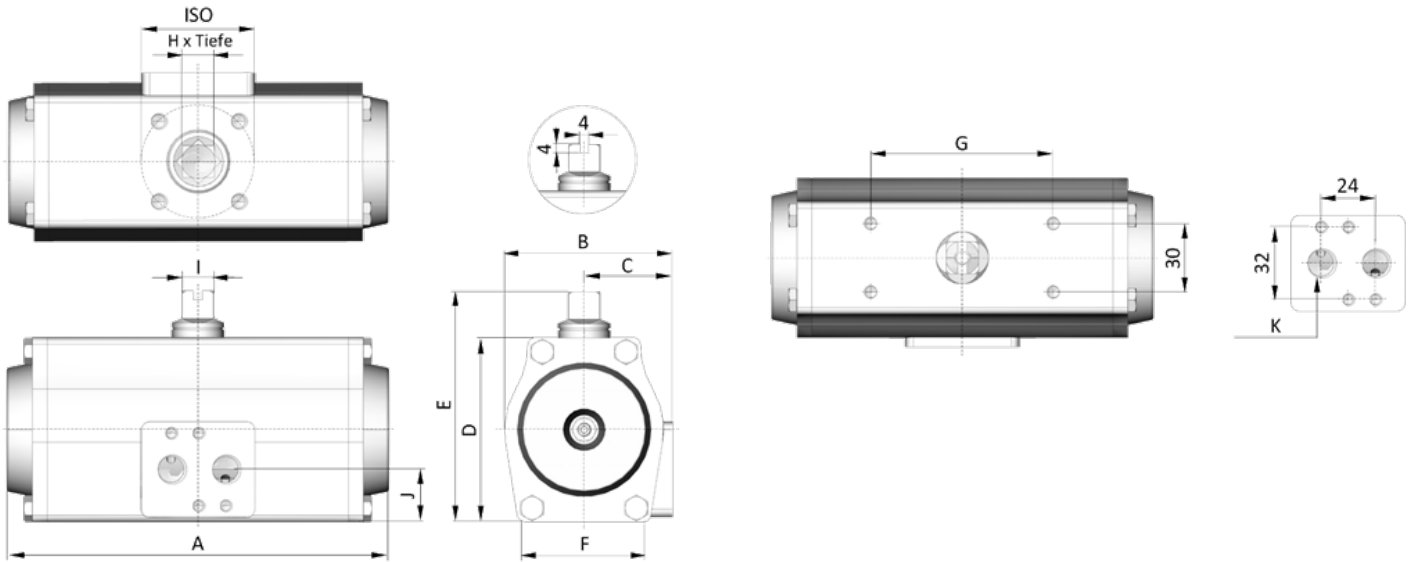
<b>Description</b>	Pneumatic double-piston rotary actuator in rack & pinion design with self-centering pistons; double- and single-acting execution
<b>Materials</b>	Stainless steel AISI 304 or AISI 316
<b>ATEX marking</b>	  II 2 G Ex h IIC T6...T3 Gb II 2 D Ex h IIIC 170°C Db
<b>Temperature range</b>	Standard: -20°C bis +80°C Low temperature version: -40°C bis +80°C High temperature version: -10°C bis +150°C
<b>Control pressure</b>	2 to 8 bar
<b>Pressure media</b>	dry, filtered air or inert gases in respect of remaining oil-, dust and water-content according to DIN ISO 8573-1 / class 4, maximum particle diameter 30µm, dew point minimum 10°C below ambient temperature
<b>Standards</b>	Interface actuator/feedback-unit: VDI/VDE 3845 resp. NAMUR  Interface actuator/control media supply: VDI/VDE 3845 resp. NAMUR  Interface actuator/valve: ISO 5211 and DIN 3337
<b>Nominal rotation angle</b>	90° Adjustable in switch position +/-5°, (optional 100% stroke adjustment)



## Typecode

	<b>PT</b>	<b>E</b>	<b>4A</b>	<b>105</b>	<b>/</b>	<b>090</b>	<b>.</b>	<b>12</b>	<b>.</b>	<b>F07</b>	<b>-</b>	<b>V</b>	<b>.</b>	<b>17</b>	<b>-</b>	<b>F</b>
<b>Type</b>																
<b>Function</b>																
	D: double-acting E: single-acting															
<b>Stainless steel Type</b>																
	2A: AISI 304 4A: AISI 316															
<b>Size</b>																
<b>Rotation angle</b>																
	Rotation angle in degree															
<b>Spring set</b>																
<b>ISO valve interface</b>																
<b>Stem connection</b>																
	V: Square acc. to ISO 5211 and DIN 3337															
<b>Stem connection dimensions</b>																
	Dimension in mm															
<b>Mounting direction</b>																
	E: transversal to pipe, rotation sense CW F: parallel to pipe, rotation sense CW G: transversal to pipe, rotation sense CCW H: parallel to pipe, rotation sense CCW															

## Dimensions



A	B	C	D	E	F	G	ISO	H	I	J	K
251	122	64	133	163	92	80	F07	17x26	16	24	G1/4"

## Weight, volume

Weight (kg)	double-acting	11,9
	single-acting	12,6

Volume (l)	double-acting	2,1
	single-acting	0,9

## Torques double-acting

Torque in Nm at control pressure in bar (g)													
2	2,5	3	3,5	4	4,5	5	5,5	6	6,5	7	7,5	8	
65,8	82,2	98,7	115,2	131,6	148,0	164,4	180,9	197,3	213,8	230,2	246,7	263,1	

## Torques single-acting

Spring set	Torque spring stroke in Nm		Torque in Nm at control pressure in bar (g)																		
			3		3,5		4		4,5		5		5,5		6		7		8		
	max	min	max	min	max	min	max	min	max	min	max	min	max	min	max	min	max	min	max	min	
5	49,2	31,6	65,3	46,8																	
6	59,1	38,0	58,7	36,5	75,3	53,1															
7	68,9	44,3	52,1	26,2	68,6	42,7	85,0	59,1													
8	78,7	50,6	45,4	15,8	61,9	32,3	78,3	48,7	94,7	65,1	111,1	81,5									
9	88,6	56,9			55,3	22,0	71,7	38,4	88,1	54,8	104,5	71,2	121,0	87,7	137,4	104,1					
10	98,4	63,3					65,0	28,0	81,4	44,4	97,8	60,8	114,3	77,3	130,7	93,7	163,6	126,6	196,5	159,5	
11	108,3	69,6							74,7	34,0	91,1	50,4	107,6	66,9	124,0	83,3	156,9	116,2	189,8	149,1	
12	118,1	75,9									84,5	40,1	101,0	56,6	117,4	73,0	150,3	105,9	183,2	138,8	