


PR003

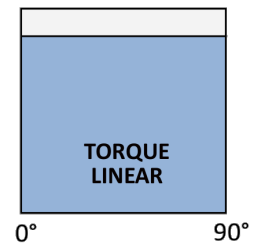
Design	Pneumatic double-piston rotary actuator in rack and pinion design
Function	double-acting execution
Standards	Interface actuator/feedback-unit - VDI/VDE 3845 (NAMUR) Interface actuator/control media - VDI/VDE 3845 (NAMUR) Interface actuator/valve - ISO5211 / DIN 3337
Temperature range	Standard: -20°C ... +80°C Low temperature version: -40°C ... +80°C High temperature version: -10°C ... +150°C
Nominal angle	90°
Angle adjustment	Adjustable in both end positions +/-5° Optional stroke adjustment up to 100%
ATEX marking	 II 2 G Ex h IIC T6...T3 Gb II 2 D Ex h IIIC 170°C Db
Control Pressure	2 up to 8 bar
Control media	dry, filtered air or inert gases in respect of remaining oil-, dust and water-content according to DIN ISO 8573-1 / class 4, maximum particle diameter 30µm, dew point minimum 10°C below ambient temperature
Material	Body: Aluminium, powder-coated Caps: Aluminium, powder-coated Pistons: Aluminium Pinion shaft: Carbon steel, nickel plated Bearings: POM Sealings: Standard: NBR Optional: HNBR/FPM/Silicone Screws: Stainless steel



Torque diagram

Double-acting

Provides a linear and constant torque through the complete pivoting angle in both pivoting directions.

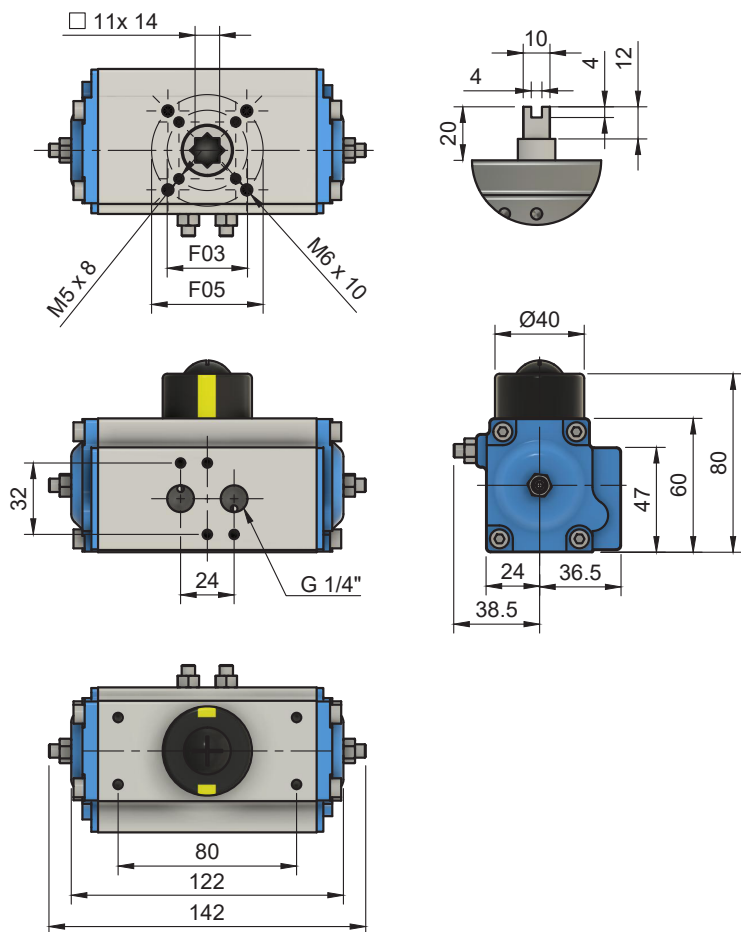


ProtACT GmbH
 Märkerstraße 18
 56307 Dernbach

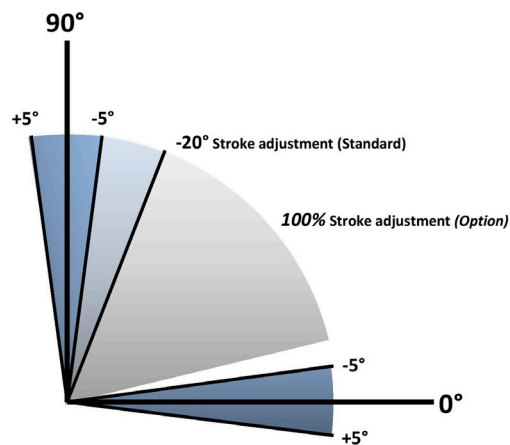
Tel: +49 (0) 2605 96 25 19-0
 Fax: +49 (0) 2605 96 25 19-6
 Email: protact@protact-gmbh.de

Website: www.protact-gmbh.de

Dimensions



Angle adjustment



Both end positions can be adjusted by +/-5° for a precise setting of the final valve position.

The optional stroke adjustment offers a 100% setting of the switched end position.

Torques double-acting

Control pressure in bar (g)	2	2,5	3	3,5	4	4,5	5	5,5	6	6,5	7	7,5	8
Torque in Nm	6,0	7,6	9,1	10,7	12,2	13,8	15,3	16,9	18,4	20,0	21,5	23,1	24,6

Weight, volume

Function	Weight (kg)	Volume (l)
double-acting	1,0	0,19

Air consumption

Function	Air consumption for pivoting angle 90° at control pressure in bar (g) in litres/cycle								
	3	3,5	4	4,5	5	5,5	6	7	8
double-acting	0,57	0,67	0,76	0,86	0,95	1,05	1,14	1,33	1,52